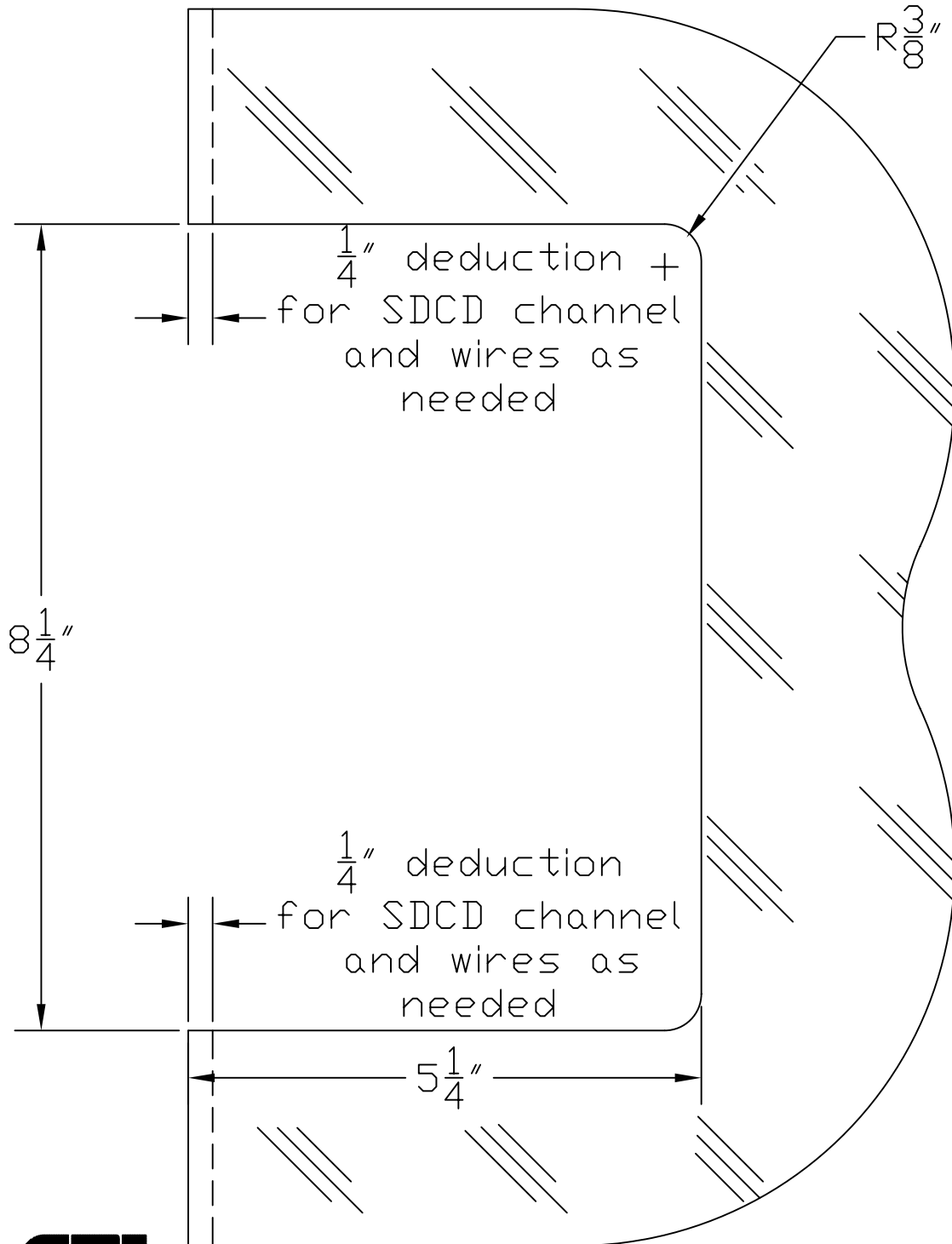


GLASS CUT-OUT 6" X 10" ELECTRIC STRIKE KEEPER



CRL DOOR RAIL SYSTEM

C.R. Laurence Architectural Products

Phone Orders (800) 421-6144

Fax Orders (800) 262-3299

WWW.CRLAURENCE.COM

Patent Pending